

# SRF-RG

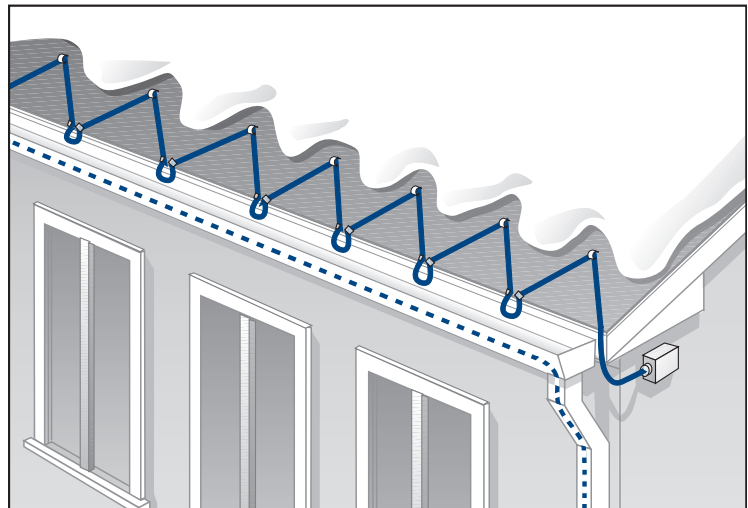
PDS SRF-RG

## Roof and Gutter Heating Cable

- Roof and Gutter De-Icing
- Fast, Easy Installation
- Cut to Length
- UL Listed
- CSA Certified



A Division of Christopher MacLean Limited



### Description

SRF-RG heating cable by Heat-Line provides reliable freeze protection of roofs and gutters. Because SRF-RG is self-regulating, it automatically adjusts to the appropriate heat output as ambient conditions change, making it both energy efficient and cost effective. The protective waterproof outer jacket is suitable for wet applications in downspouts and roof drains.

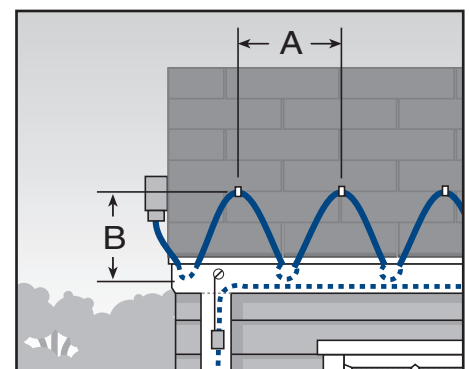
Likewise, it is easy to apply SRF-RG following the provided instruction sheets and utilizing the required accessory kits. It can be cut to any length, and single overlapped. Simply trace the gutter or roof and energize the cable when precipitation is expected. From that point on, SRF-RG will rapidly increase its output when in contact with snow or ice, providing maximum melting power. When the roof and gutters are clear of snow and ice, the SRF-RG cable will regulate its output and save energy.

### Application

1. To calculate the amount of cable needed, multiply the roof edge length to be heat traced by the spacing factor. The spacing factor (the feet of cable required per foot of roof edge) is determined by the roof overhang, heating width (A) and heating height (B):

Roof Overhang	A Heating Width	B Heating Height	Spacing Factor
12 inches	2 feet	18 inches	2
24 inches	2 feet	30 inches	3
36 inches	2 feet	42 inches	4

2. Add the total gutter length and the total downspout length to the figure calculated in step 1 to get the total length of cable required.
3. Determine how many circuits are required. Divide the total length of cable by the maximum circuit length (see specifications on reverse side). Round that number up (for example, 2.1 to 3) to get the total number of circuits.



# SRF-RG — Roof and Gutter Heating Cable

## Specifications

Buss Wire .....	16 AWG, Nickel-Coated Copper
Ground Braid .....	Tinned Copper Braid Under Jacket
Outer Jacket .....	U.V. Stabilized Weatherproof Jacket
Environmental Use .....	Use only in Ordinary Areas, 150° F Maximum Exposure Temperature
Output Wattage .....	12 Watts/Ft. in Snow or Ice @ 32° F
Service Voltage .....	SRF5-1RG ... 120 Vac
	SRF5-2RG ... 208-277 Vac

### Circuit Breaker Selection

### Circuit Breaker Size vs. Max. Circuit Lengths (Ft.)

Start Up	120 Vac Cable				240 Vac Cable		
	15A	20A	30A		15A	20A	30A
40°F	185	230	270	40°F	375	450	540
0°F	135	180	270	0°F	270	360	540

### Warning:

A ground fault protection device is required by the NEC, to minimize the danger of fire if the heating cable is damaged or improperly installed.

A minimum trip level of 30 mA is recommended to minimize nuisance tripping.

Suggested breakers with 30 milliamp ground fault trip levels are:

120 Volt Single Pole

120/240 Volt Single Pole

Westinghouse GFEPD, Square D QO, EPD Style

Westinghouse GFEPD, Square D QO, EPD Style

## Ordering Information

Cable	Model	Description	PCN
120V	SRF5-1RG	Cable with Braid and Weatherproof Jacket.	386329
208-277V	SRF5-2RG	Cable with Braid and Weatherproof Jacket.	386337

**Note:** Cables UL Listed for Snow Melting and De-Icing Equipment.

## Accessories

	Model	Description	PCN
Power Connection	RG-PK-1	Power termination into junction box with one end seal and 2 "Warning-Electric Traced" adhesive labels.	386206
Splice Kit	RG-SK-1	Materials for 1 splice of cable.	386214
End Seal Kit	RG-EK-1	Materials for 1 cable end termination.	386257
Roof Clip	RCK-1	To attach cable to standard roofing material, 10 per kit.	340179
Downspout Hangers	RDK-1	To support cable in gutter downspout, 1 per pack.	340160
Aluminum Tape	AT-1	Aluminum foil installation tape with pressure sensitive adhesive, 180 ft. roll. Used to secure cable placement in gutters.	383355